

KOINE 35

Continuous cycle spraying and mixing pump

50 Hz

Koine 35 230V/50Hz Sph - 3.65 kW
1106006

60 Hz

Koine 35 230V/60Hz Sph - 3.65 kW
1106048



Simple and intuitive control panel. The diagnostic display indicates any anomalies in use together with the indicator lights, 4-pumping speeds selector and electropump exclusion selector where it is not necessary. Exclusive IMER R2 inverter inside.



Description

Continuous cycle mixing pump, suitable for pumping or spraying all dry premixed materials:

- Cement / lime / gypsum plaster based
- Structural reinforcement mortars
- Structural plasters
- Restorative plasters
- Stucco
- Binders / mortars for injections
- Grout / Core-Fill Grout
- Glues for thermal insulation coatings
- Thermal insulating screeds based on cork or polystyrene
- Insulating plasters based on polystyrene or cork
- Fireproofing mortar
- Self-levelling cement-based screeds
- Self-levelling anhydride-based screeds
- Mortars for fire protection

Bagged dry materials are poured into the dry hopper of the machine directly, or the machine can be loaded automatically from a silo even at considerable distances (over 100 m) using the Storm Plus conveyor system and a special blower hood complete of air / dust separator filter to be placed in the hopper of the machine.

The high efficiency of the electrical components, including the exclusive IMER R2 inverter, allows the Koine 35 to work even with the minimum electrical power available in most homes (3 kW). Select the most suitable among the four pumping speeds available, which can be shown on the display.

Operation

The bagged material, or material coming from the silo, is poured into the hopper, where a feeding wheel fills the mixing chamber continuously and constantly.

The water necessary to obtain the mixture is injected into the mixing chamber by a stainless steel pump. The water flow is kept constant through a particular stabilization system and controlled by a valve that starts or stops the flow if necessary.

The amount of water in the mixture can be viewed in the flow meter and can be adjusted according to the needs through a micrometric valve. The material is mixed with water and immediately sucked by the eccentric screw pump and pushed into the pipe until it reaches the end of the spray gun. From here, with the help of the air supplied by the standard integrated compressor, it is sprayed on the application area, from a distance of about 20 cm. The material flow can be started or stopped directly from the spray gun by opening or closing the air valve.

Washing is simple, very fast and without water and material spilling in the work area. The only area that needs to be cleaned is the one where the mixture takes place, while the unused dry material can remain in the hopper and be removed if necessary, by opening the appropriate discharge plug at the bottom of the hopper.

Koine 35 is equipped with safety protections that immediately stop the electric motors if the mixing chamber is opened, signaling the event with an indicator light and an indication on the display. The machine is also equipped with status diagnostics, which ensures electrical protection in any case of system overload or use anomaly.



Easily removable feeding wheel.



Practical toolbox.



Impact resistant square tubular frame.



Hydraulic system made with anti-oxidation brass. Arrangement of components designed to improve water drainage in winter. Large sized self-priming electropump, capable of 4.5 bar pressure, with stainless steel cap and brass impeller.



Cast iron material delivery flange with pressure gauge. Direct connection for Ø35 F pipe. It allows to extend the pipes up to 30 m with the minimum increase in working pressure. The reduction to apply the Ø 25 pipe is included in the standard equipment.

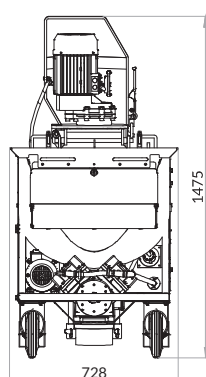
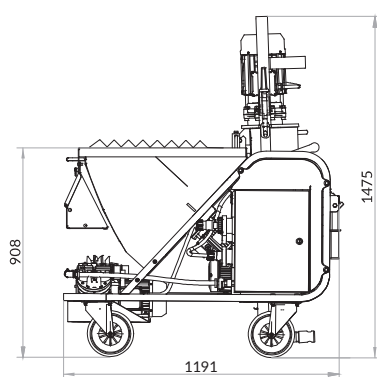
Standard Equipment

Standard mixer
Stator and Rotor D5-2.5 Monoflex (Purple)
Material delivery pressure gauge
Control panel with exclusive IMER R2 4-speeds inverter and diagnostic display
INGX2 stainless steel self-priming electropump
Brass water system with flow meter and with ANTIFREEZE discharge
20 m electric cable with 16 A plug
20 m water hose Ø 13 mm
16 m air hose Ø 13 mm
15 m material hose Ø 25 mm
Spray gun with deflectors
Built-in accessory box complete with washing sponge and nozzle cleaner
Scraper
Camlock adapter Ø 35F - Ø 25M
Rotor replacement wrench

Technical data

Power supply	-	230V 50/60Hz
Max installed power	kW	3.65
Mixer motor power	kW	2.2
Feeding wheel gearmotor power	kW	0.25
Electropump motor power	kW	0.45
Electric compressor	-	0.75 kW - 2501 / min
Material flow*	l/min	8-11-14-17
Pumping distance with Ø 25 mm hose*	m	20
Pumping distance with Ø 35 mm hose*	m	40
Pumping height*	m	15
Hopper capacity	l	110
Loading height	mm	900
Sound pressure level	dB (A)	< 76
Dimensions w / l / h	mm	728/1191/1475
Machine weight	kg	255
Packed machine dimensions w / l / h	mm	840/1200/1250
Packed machine weight	kg	325

(*) The values indicated are subject to variations based on the characteristics of the materials used, their consistency, the type of stator / rotor installed and the size of the hose used.



KOINE 35G

Continuous cycle mixing pump

Koine 35G 230V/60Hz Sph - 2.9 kW
with I-Dust Grate
1106051

Koine 35 Grouting is a single-phase direct mixing pump particularly suitable for mixing and pumping of grouts and self-levelling underlayment. The exclusive I-Dust grate allows to limit the powders dispersed in the environment. It is equipped with double mixing system and high flow pumping unit (26l/min).



Standard Equipment

Standard mixer
Stator and Rotor D8-1.5 Clamp (Ocher Yellow)
I-Dust grate
Turbo mixer
Material delivery pressure gauge
Control panel with exclusive IMER R2 4-speeds inverter and diagnostic display
INGX2 stainless steel self-priming electropump
Brass water system with flow meter and with ANTIFREEZE discharge
20 m electric cable with 16 A plug
20 m water hose Ø 13 mm
15 m material hose Ø 25 mm
Built-in accessory box complete with washing sponge
Scraper
Camlock adapter Ø 35F - Ø25M
Rotor replacement wrench

Exclusive accessory for customizing Koine 35G 230V / 60Hz Sph Code **1106051** - Spray applications

1107637



Compressor IM250
230V / 60Hz Sph

1107005



Premixed spray kit

KOINE 35 setups

A

Accessories for thermo-plaster, lightened screed and fireproofing materials

1107030 Stator D8-1.5 MONO CLAMP
1107029 Rotor D8-1.5 with tab - Ocher
1107541 Mixer for lightened materials
1107517 Turbo mixer

B

Accessories for thermo-plaster, lightened screed and fireproofing materials. Without turbine

1107030 Stator D8-1.5 MONO CLAMP
1107031 Rotor D8-1.5 MONO - Green
1107541 Mixer for lightened materials

C

Accessories for self-levelling screeds

1107030 Stator D8-1.5 MONO CLAMP
1107031 Rotor D8-1.5 MONO - Green
1107597 Mixer for self-levelling floor screeds

Accessories for customized setups **KOINE 35**

D5-2.5 Purple

➔ Recommended for:

- Gypsum / lime / cement based plasters
- Stucco
- Structural plasters, even fiber-reinforced
- Restorative plasters
- Binders / mortars for injections
- Structural reinforcement mortars
- Fireproofing

Pressure (bar) 25

Maximum grain size (mm) 4

Flow (l / min) 17

1107038



Stator D5-2.5 MONO

1107039



Rotor D5-2.5 MONOFLEX

1107084



Stator D5-2.5 MONO CLAMP

1107085



Rotor D5-2.5 MONO

1107162



Rotor D5-2.5 MONO with tab

D8-1.5 Green

➔ Recommended for:

- Grout / Core-fill Grout
- Structural reinforcement mortars
- Self-levelling cement-based screeds
- Self-levelling anhydride-based screeds
- Polystyrene based thermal insulating screeds
- Insulating plasters based on polystyrene or cork
- Fireproofing

Pressure (bar) 15

Maximum grain size (mm) 5

Flow (l / min) 26

1107030



Stator D8-1.5 MONO CLAMP

1107031



Rotor D8-1.5 MONO

1107029



Rotor D8-1.5 with tab - Ocher

D4-1/2 Lemon Yellow

➔ Recommended for:

- Glues for coatings

Pressure (bar) 25

Maximum grain size (mm) 3

Flow rate (l / min) 9

1107032



Stator D4-1/2 CLAMP

1107033



Rotor D4-1/2

Accessories for customized setups **KOINE 35**

1107542		Standard mixer	1107597		Mixer for self-levelling floor screeds	1107541		Mixer for lightened materials
1107500		Blower hood for Koine 4 and Koine 35. Complete with filter. (Level sensor not included)	1107491		I-Dust grate and motor air flow diverter	1107517		Turbo mixer
1107540		Ø 25 F spray gun for traditional/premixed plaster with Ø14 duse	1107549		Ø 25 F spray gun, 1.43 m long for fireproofing and premixed plaster	1107570		U-shaped steel pipe Ø 25
1107011		Ø 25 F spray gun for finishing coat / filling / touch pointing / injections without deflectors, with air flow regulator and no-spreading ball valve	1107604		Deflector kit 5-6-8-12-16 tempered stainless steel			
1107551		10 pcs kit deflectors Ø 10 (Duse) in polyurethane for premixed plaster	1107557		5 pcs kit deflectors Ø 10 in polyurethane for traditional plaster			
1107552		10 pcs kit deflectors Ø 12 (Duse) in polyurethane for premixed plaster	1107558		5 pcs kit deflectors Ø 12 in polyurethane for traditional plaster			
1107553		10 pcs kit deflectors Ø 14 (Duse) in polyurethane for premixed plaster	1107559		5 pcs kit deflectors Ø 14 in polyurethane for traditional plaster			
1107554		10 pcs kit deflectors Ø 16 (Duse) in polyurethane for premixed plaster	1107560		5 pcs kit deflectors Ø 16 in polyurethane for traditional plaster			
1107525		Material hose Ø 25 - 15 m with camlock coupling	1107532		Air hose Ø 13 - 16 m with quick couplings			
1107526		Material hose Ø 25 - 10 m with camlock coupling	1107531		Air hose Ø 13 - 10 m with quick couplings			
1107527		Material hose Ø 25 - 5 m with camlock coupling						
1107528		Material hose Ø 35 - 10 m with camlock coupling						
1107074		Material hose Ø 25 M35 / M25 L5 m with camlock coupling	1107530		Air hose Ø 13 - 5 m with quick couplings			
1107087		Cleaning kit for Ø 35 hoses. Accessory for cleaning Ø 35 hoses with air or water	1107565		Camlock coupling adapter Ø 35 F - Ø 25 M			
1107103		Cleaning kit for Ø 25 hoses. Accessory for cleaning Ø 25 hoses with air or water						
1107519		Kit 10 pcs sponge balls for cleaning Ø 25 hoses	1107520		Kit 10 pcs sponge balls for cleaning Ø 35 hoses			